

FENDER FLARE INSTALLATION INSTRUCTION TOYOTA TUNDRA 07-13

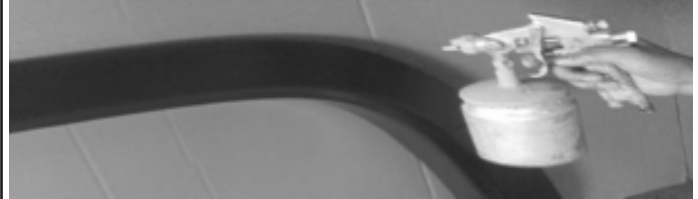
Flares	Parts	
Qty (1) Fender Flare Left Front (LF)	Front Flares	Rear Flares
Qty (1) Fender Flare Left Rear (LR)	Qty (12) Flat Head Screws	Qty (16) Flat Head Screws
Qty (1) Fender Flare Right Front (RF)	Qty (6) Lever Clips	Qty (6) Hex Washer Screws
Qty (1) Fender Flare Right Rear (RR)	Qty (2) 6mm Plastic Fasteners	Qty (2) 8mm Plastic Fasteners
Qty (1) Rubber Seal (enough for four flares's outer edge)	Qty (4) 5mm Spacer	Qty (6) 10mm Spacers
Qty (42) Allen Bolt & Nut (Torx Bit required)	Qty (8) Self Tapping Screws (see option B)	Qty (4) Self Tapping Screws (see option B)

Step 1. Pre-Installation



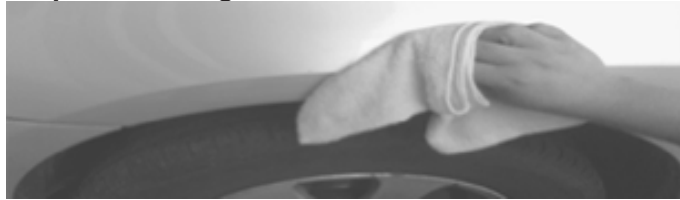
Pre-fit both driver side and passenger side fender flares to the vehicle before painting or installation. You may remove any moldings, strips or existing flares from the vehicle for fitting or installation. You can cut the fender flare to fit any body side molding.

Step 2. Painting (optional)



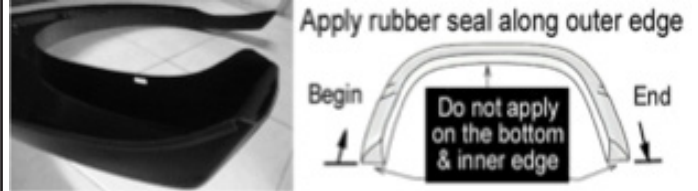
Professional paint or body shop recommended to paint flares. Follow all the paint manufacture specifications to paint the flares. Clean fender flare surfaces with clean water and a mild detergent before painting, do not use lacquer thinner or any solvent based products.

Step 3. Cleaning



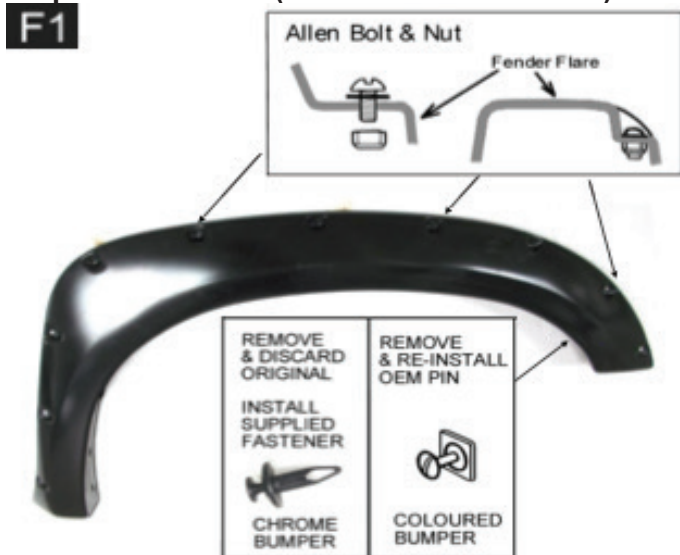
Wash and wipe dry the areas of contact on the vehicle body. Clean the surface and inside edge of the fender flare where the rubber seal is to be attached.

Step 4. Apply Rubber Seal

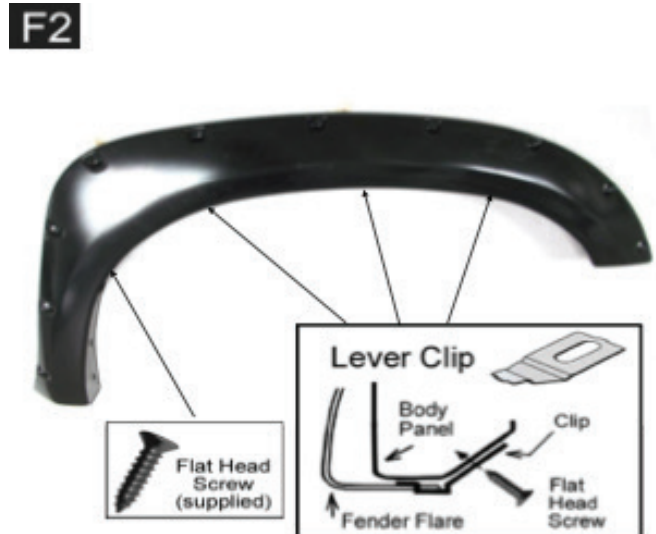


Apply rubber seal to the flare. Start at one end of the flare along the edge that comes in contact with the body panel. Apply pressure on the tape to ensure adhesion, and trim excess rubber seal at the end. To avoid bulge, you may cut a notch in the edge of the rubber seal at the inward angle curve, cut a V out of the outward angle curve.

Step 5. Installation (Left Front Flare Shown)



Use torx bit to tighten allen bolt & put firmly on every pocket of the fender flare, shown as top. Remove fastener or pin from rear of bumper. Once the flare lines up, attach and fasten it, shown as bottom.

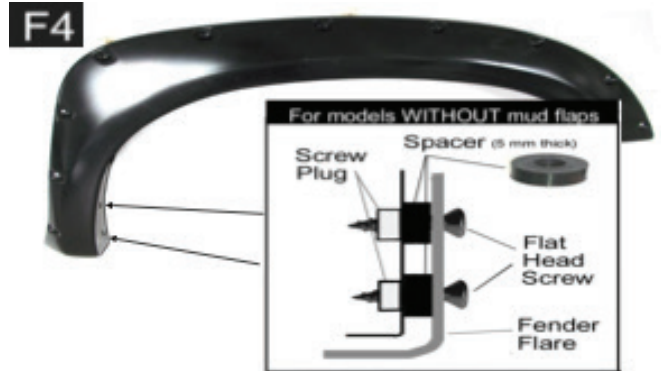


Apply 3 Lever Clips into the mounting slot in flare and secure it to the vehicle with flat head screw, shown as right. Fasten 1 flat head screw into the location, shown as left.

Step 5. (Continued)

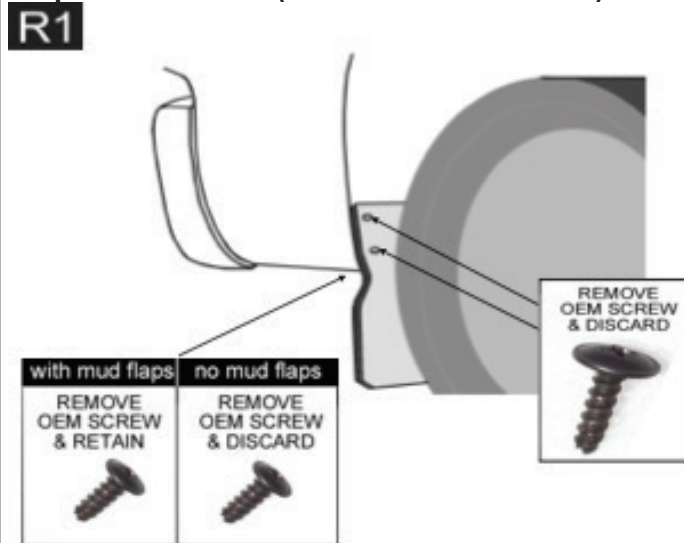


Re-Install the existing factory screws into the original location that were previously removed.

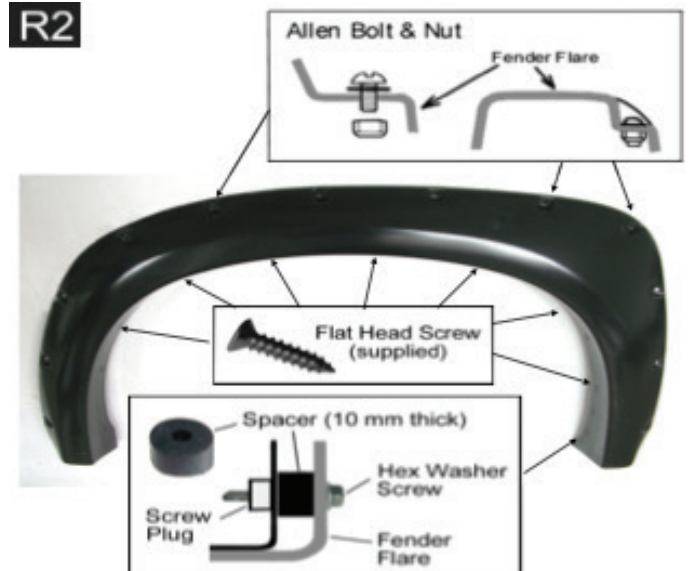


Insert the supplied spacer (5mm thick) in between vehicle body & flare, apply 2 flat head screws to secure the flare to the body as shown.

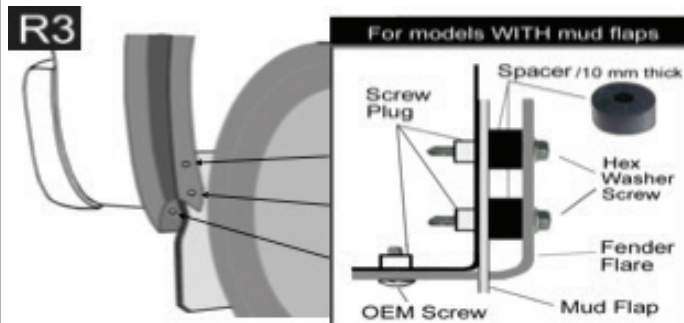
Step 6. Installation (Left Rear Flare Shown)



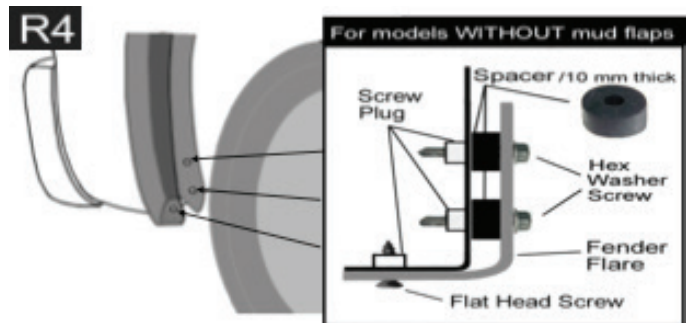
For the models with mud flaps, remove the 2 screws from the mud flap and discard, shown as right. Also remove the screws from the under side of the body and retain, shown as left.



Use tory bit to tighten allen bolt & put firmly on every pocket of the fender flare, shown as top. Fasten 7 flat head screws into the location, shown as center. Insert the supplied spacer (10mm) in between vehicle body & flare, apply 1 hex washer screw to secure the flare to the body.



Insert the supplied spacer (10mm) in between vehicle body & flare, apply 2 hex washer screws on top two holes and 1 OEM screw on bottom hole, and secure the flare to the body.



Insert the supplied spacer (10mm) in between vehicle body & flare, apply 2 hex washer screws on top two holes and 1 flat head screw on bottom hole, and secure the flare to the body.

Option B: If condition of fender prevents use of the Clips you can use the included self tapping screws to secure the flare to the fender.

855-787-8334

www.trueedgeproducts.com